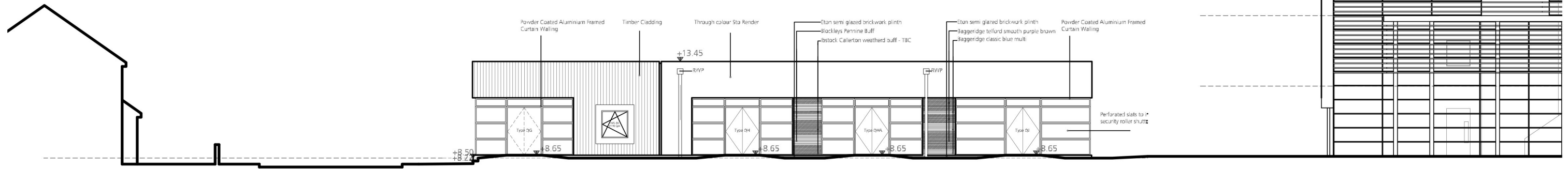
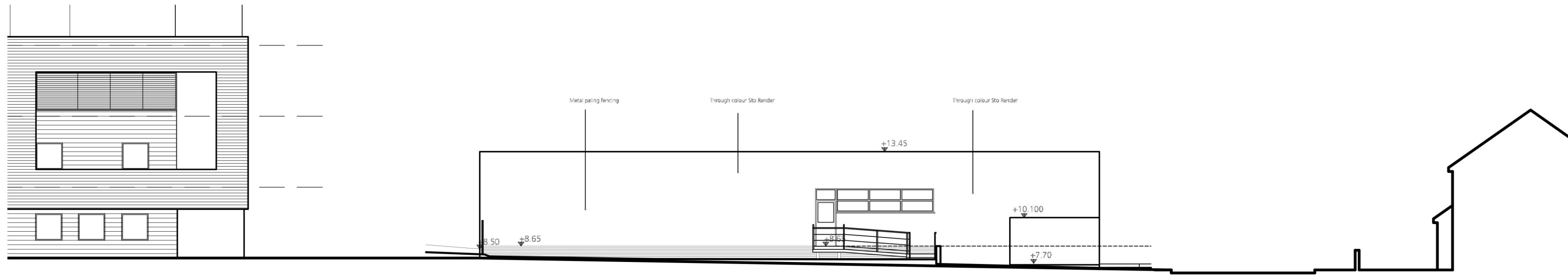


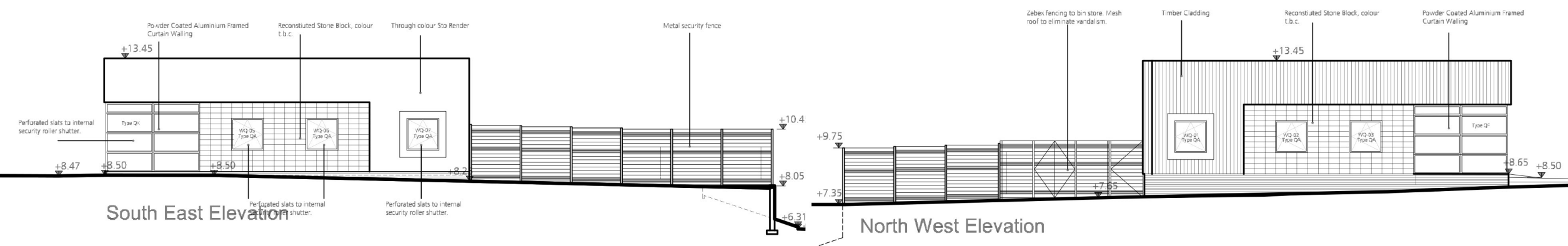
Date	Drawn	Check	Description	Rev.
24/09/20	***	***	Existing Elevations	1



South West Elevation



North East Elevation



South East Elevation

North West Elevation



Proposed Development  
 Fron Road  
 Connah's Quay

Job No.  
 21\_099  
 Dwg No.  
 AL(0)02

Title  
 Existing Elevations

Date  
 24/09/2020

Drawn  
 \*\*\*

Scale  
 1:200 @ A3

**G2** Architects · Town planners  
 Environmental & Urban design

Unit 1A, Compass Business Park,  
 Pacific Road, Cardiff, CF24 6HL

www.g2architects.co.uk  
 tel: 029 20452100